



melett

PRECISION ENGINEERED
TURBOCHARGERS & PARTS

BEARING HOUSING VARIATIONS

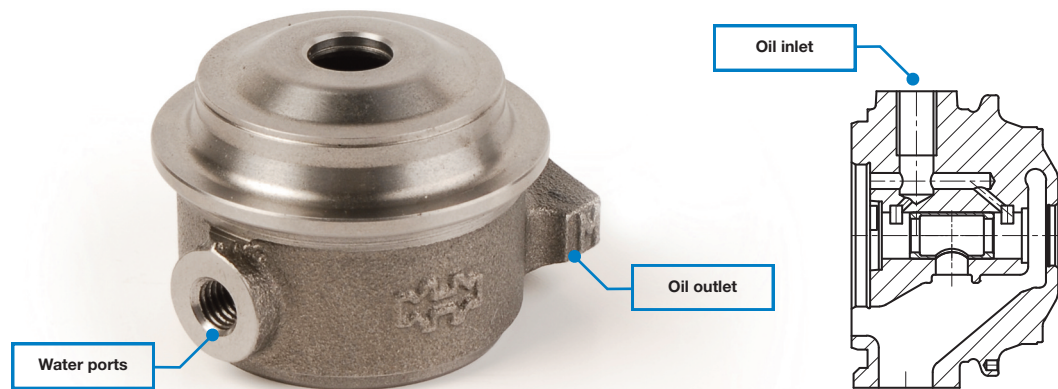
melett.com

Air cooled and water cooled bearing house variations

Melett Example: IHI – RHF4 / RHV4 / RHF4V / RHF5 / RHV5 / RHF5V

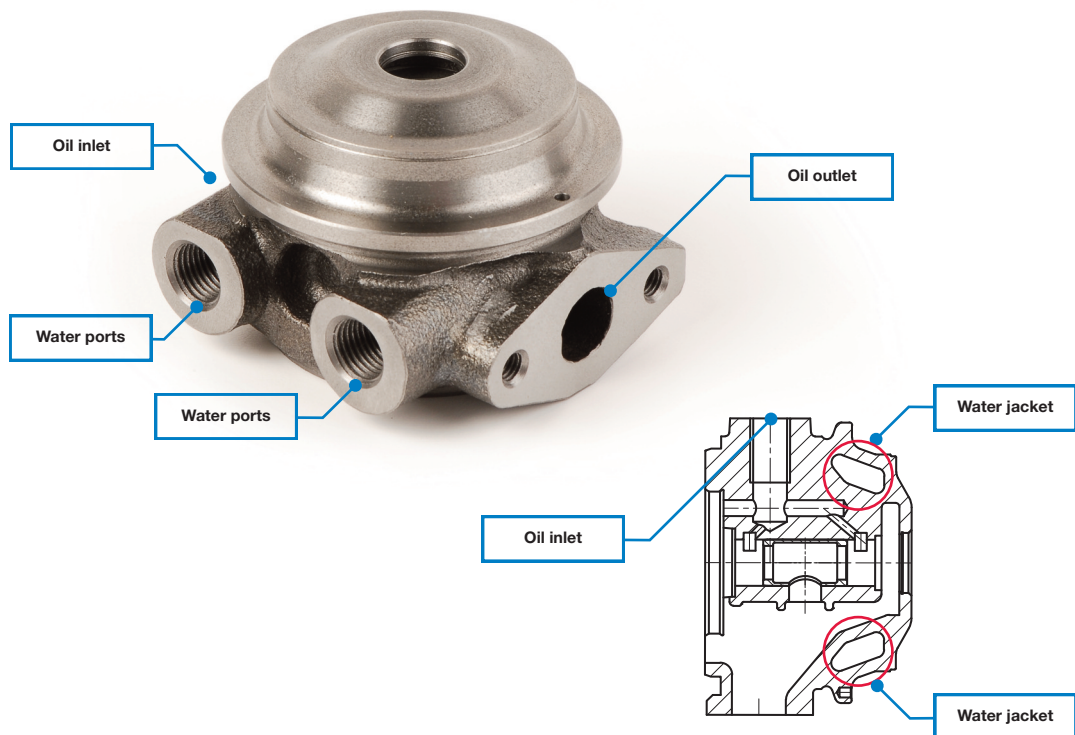
Air Cooled

Air Cooled: Ambient air and oil act as a cooling mechanism.



Water Cooled

High temperature applications need extra cooling to perform efficiently.



For further information on this or other topics, visit www.melett.com/technical or
contact our team via melett_sales@wabtec.com